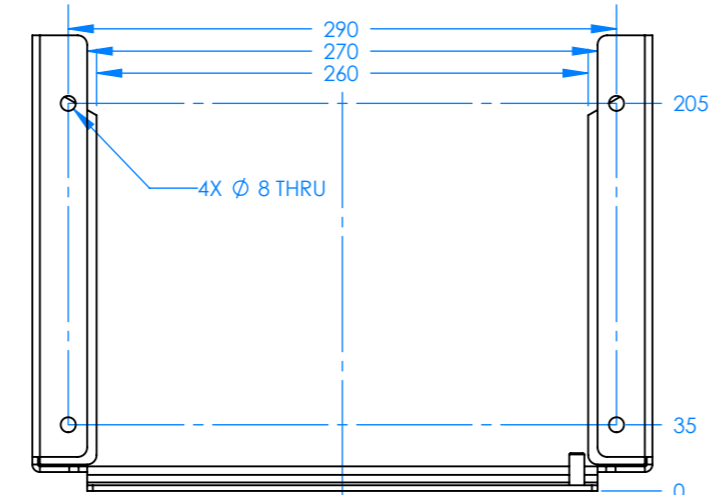
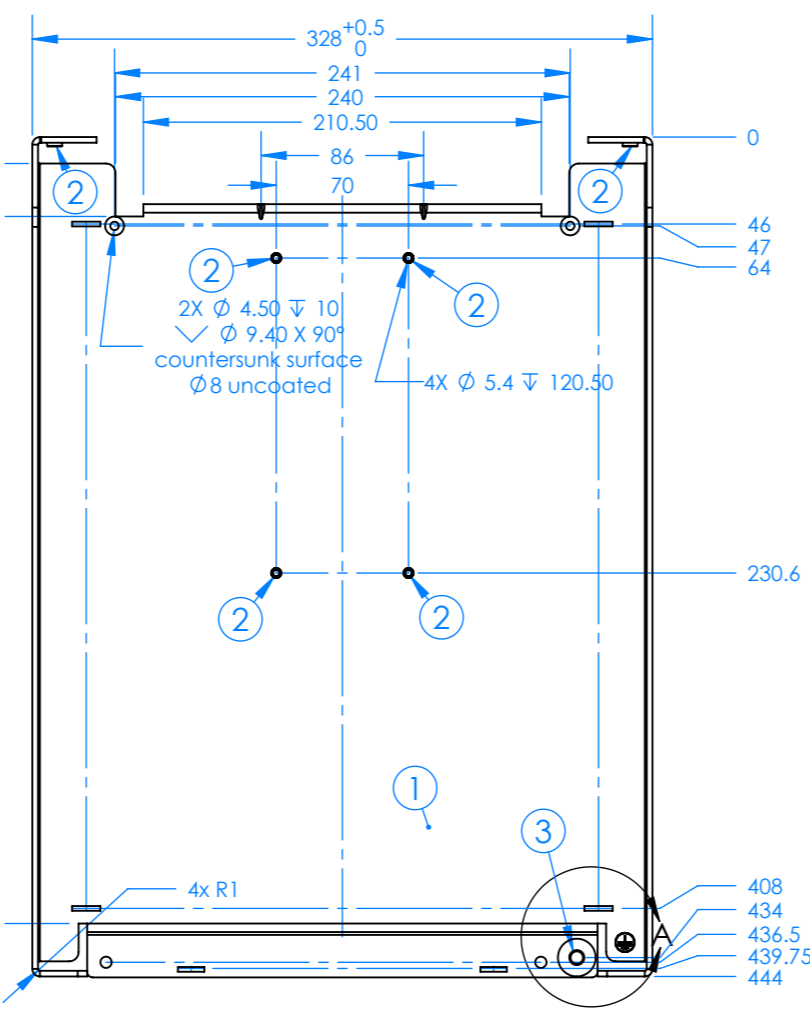
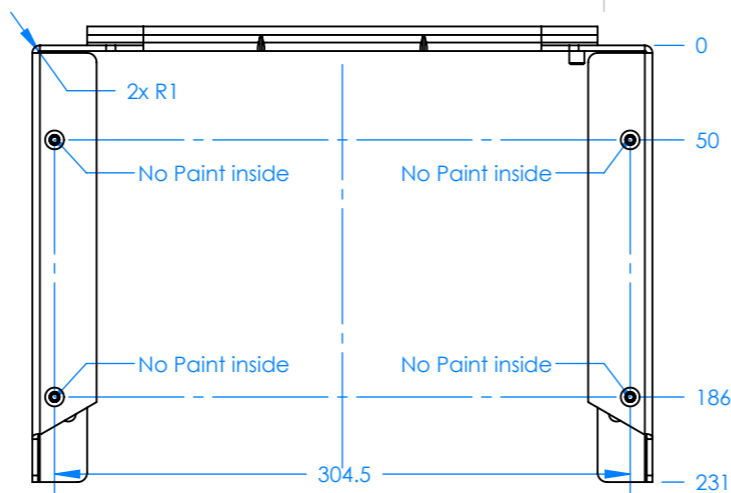
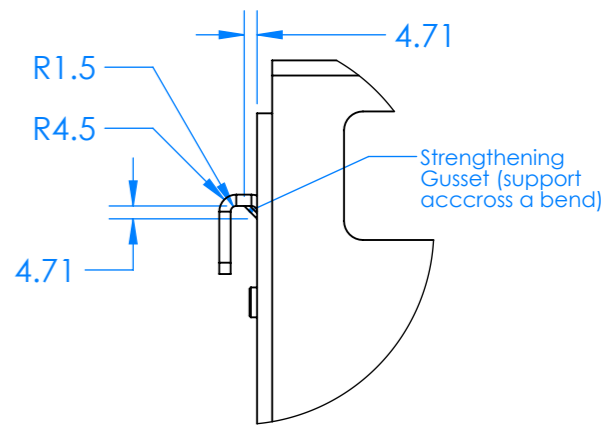


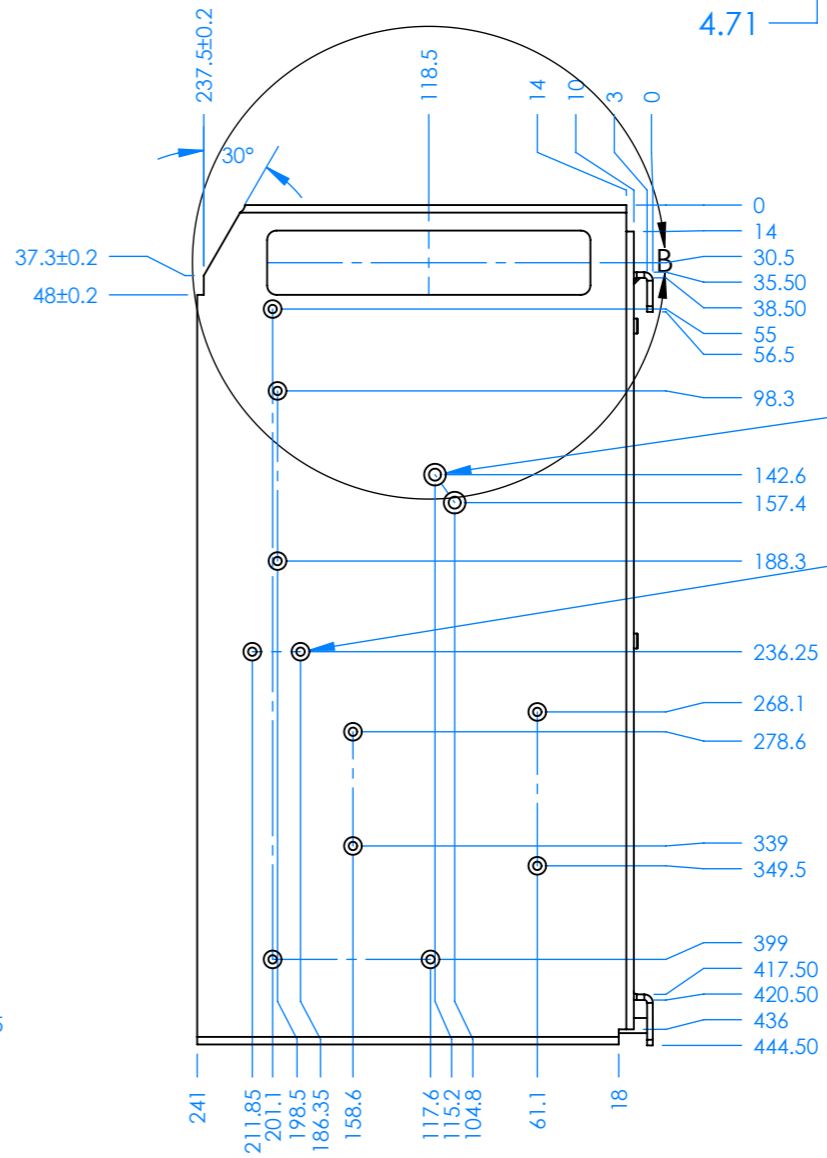
DETAIL A
emboss PE symbol
SCALE 1 : 2



ITEM NO.	DESCRIPTION	PartNumber	QTY.
1	5kVA case	HOU170001023	1
2	PEM clinchnut	PEM S-M4-2-ZI	8
3	PEM selfclinching stud	PEM HFHB-M8-20	1

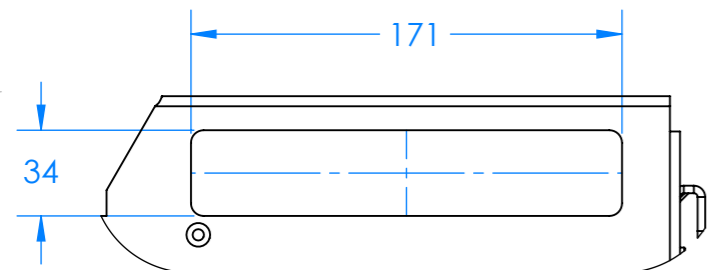
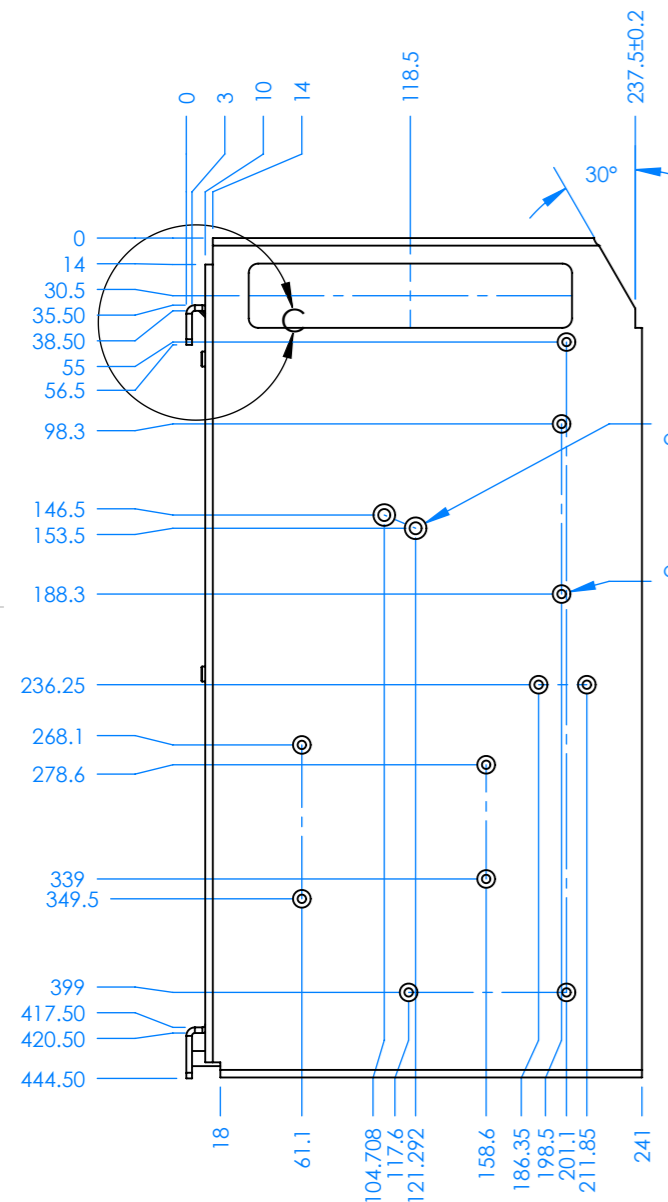


DETAIL C
SCALE 1 : 2



2X Ø 6.40 X 10
∇ Ø 11.50 X 90°
countersunk surface
Ø11.5 uncoated

11X Ø 4.50 THRU
∇ Ø 9.40 X 90°
countersunk surface
Ø8 uncoated
inside case Ø10
uncoated



DETAIL B
SCALE 1 : 3

Remarks: Tolerance ISO 2768 class m unless stated otherwise
Tolerance on hole positions ±0.1
All dimensions in mm

FINISH: Coating as specified in "Quality Requirements for Cabinet Material"

DEBUR AND BREAK SHARP EDGES

DO NOT SCALE DRAWING

REVISION 13

USA projection

TITLE: **5kVA case**

DWG NO. **HOU170001023**

SCALE:1:4

SHEET 1 OF 1

NAME	SIGNATURE	DATE
DRAWN LH		22-Dec-14
CHK'D		
APPV'D		
MFG		
Q.A		

MATERIAL: Al 99.5 3[mm]

WEIGHT:

Victron Energy
De Paal 35
Almere Haven